

# Bodema®

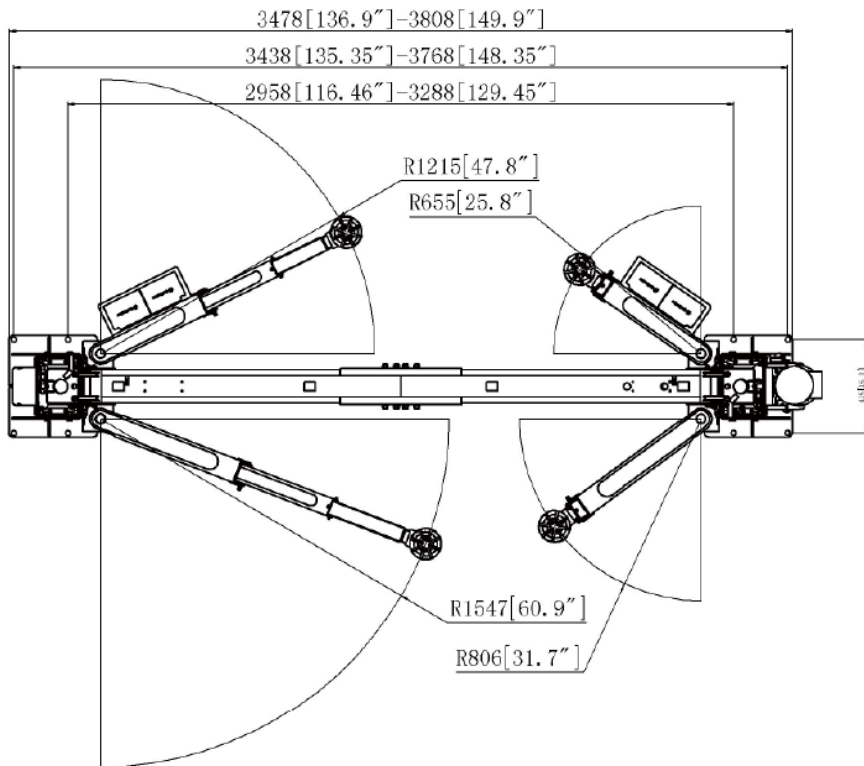
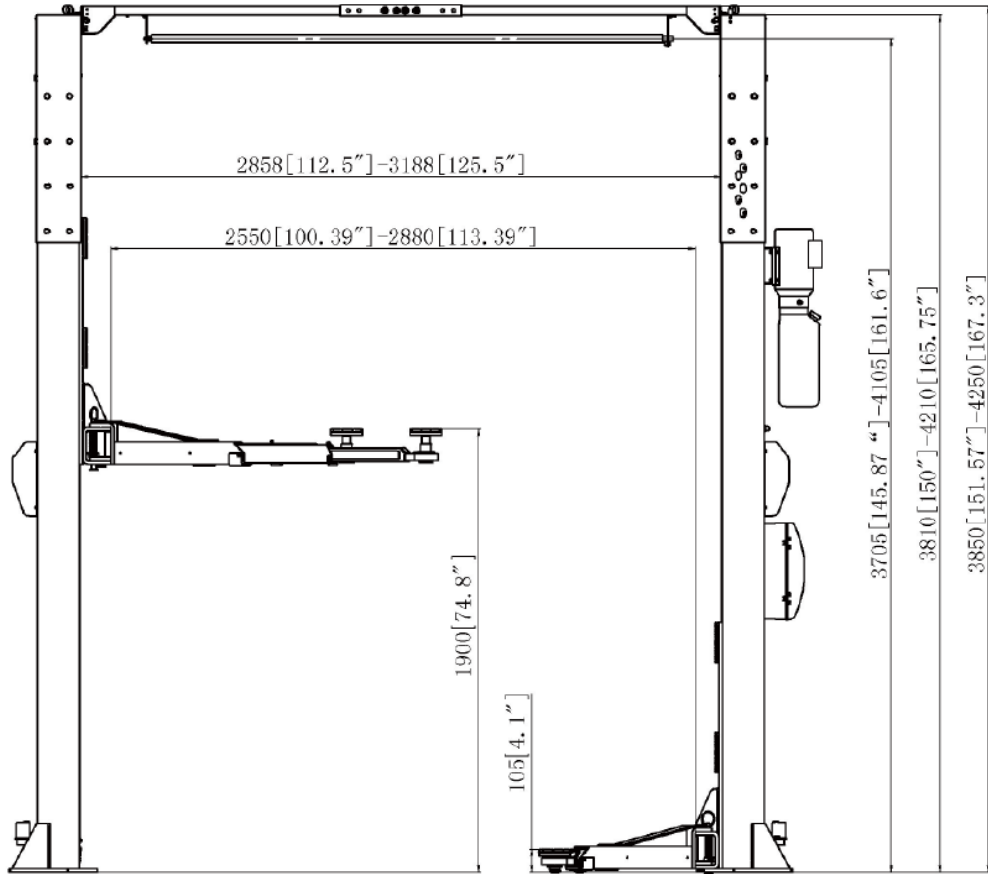
## Product sheet

### Two-pillar lift BL 2-45T

4 500 kg / 8820 LB

<b>Model</b>	<b>BL 2-45T</b>
<b>CE marked</b>	<b>Yes</b>
<b>Lifting capacity</b>	<b>4 500 kg / 8820 LB</b>
<b>Width between the pillars</b>	<b>2500 - 2800 mm / 98 - 110 inch</b>
<b>Lifting height (Max)</b>	<b>1900 mm / 74 inch</b>
<b>Height in lowered position (min)</b>	<b>110 mm / 4 inch</b>
<b>Power supply</b>	<b>400V</b>
<b>Engine power</b>	<b>2,2 KW</b>
<b>Oil pressure</b>	<b>16 Mpa</b>
<b>Net weight</b>	<b>720 kg / 1600 LB</b>
<b>Block</b>	<b>Electrically</b>
<b>Thickness of plate</b>	<b>250 mm</b>

- Only 100 mm in lowered position.
- The lifting pads are adjustable up to 100 mm and it also comes with raising sleeves of 100 mm which are perfect for raising the lifting pads further.
- The lift can be raised 400 mm and width 330 mm
- Total height in the lowest position is 3993 mm and 4393 mm in the highest position.
- The total width in the lowest position is 3440 mm and 3770 mm in the highest position.
- All wires and hydraulic hose go in the beam at the top so you get the floor free.
- The electrically controlled latches mean that you only have three buttons to think about, up, down and immersion so the arms rest on the latches.
- Aluminum motor of 2.2 kw.





110 mm in the lowered position and the lowest height and width.



The maximum height is 1900 mm.





**The electrically controlled locks mean that you only have three buttons to think about, up, down and immersion, so the lift settles on the locks.**



**Without raising sleeves, you can unscrew the lifting pads 100 mm, with the raising sleeves the height will be 200 mm.**