

Bodema®

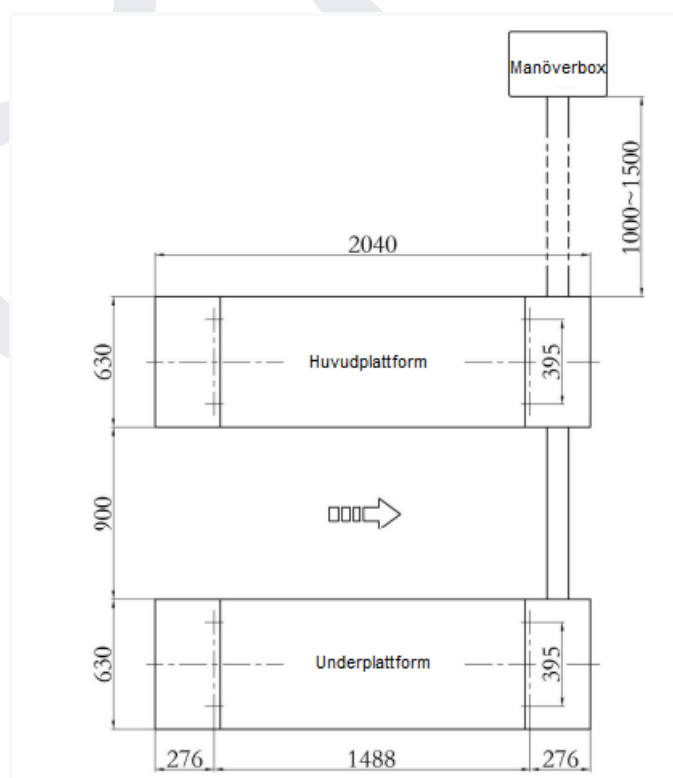
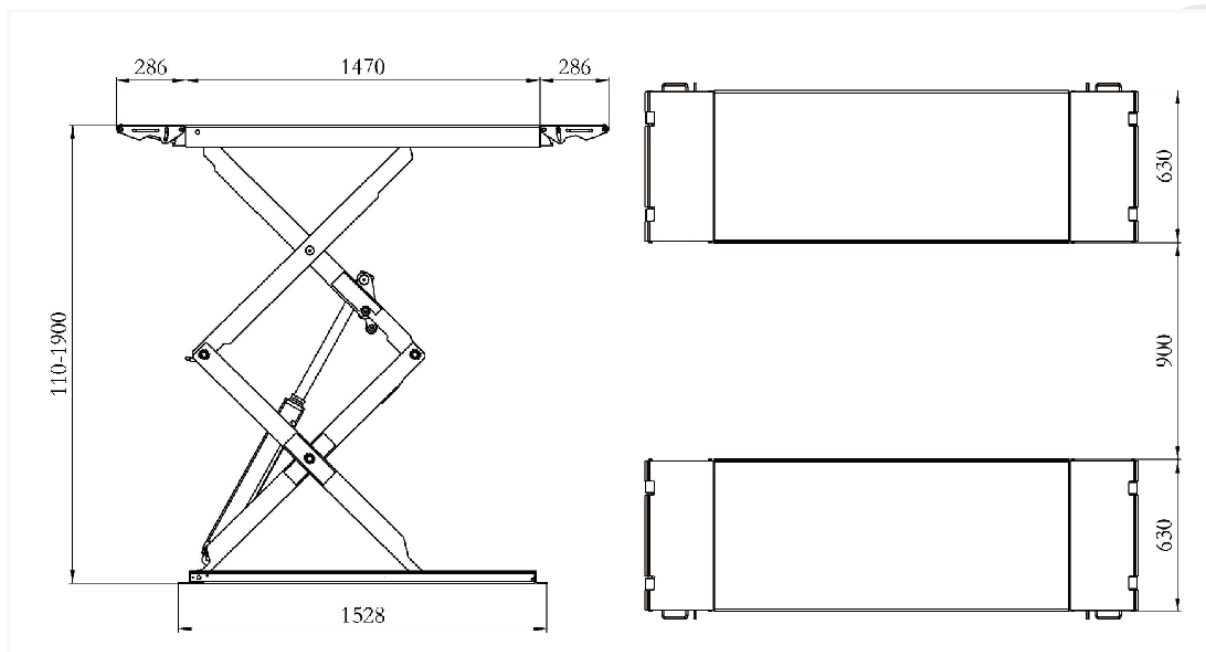
Product sheet

Scissor lift BL 35-19

3 500 kg/ 7716 LB

| | |
|---|-------------------------------------|
| Model | BL 35-19 |
| CE-Marked | Yes |
| Lifting capacity | 3 500 kg / 7716 LB |
| Lifting height max | 1900 mm / 74 inch |
| Height in lowered position (min) | 110 mm / 4 inch |
| Power supply | 380V |
| Engine power | 3,0 KW |
| Oil pressure | 25 Mpa |
| Net weight | 880 kg / 1940 LB |
| Platform length min - max | 1470 - 2040mm / 57 - 80 inch |
| The thickness of the concrete slab | Least 150 mm, rec 180-200 mm |

- The maximum height is 1900 mm.
- Minimum height is only 110 mm, which means that you get over with low vehicles.
- The lift width is a total of 2160 mm and length is 1528 mm
- The width of the platform is 630 mm and the length is 1470 mm, each ramp is 285 mm and can be folded up so you extend the platform length to a total of 2040 mm.
- The distance between the lift and the control panel is 1000 -1500 mm.
- The lift's cylinders, pump and electrical components are of top quality. Laser cut Q345 steel and elegant design.
- Dual-circuit design that makes it stable and secure.





Minimum height is only 110 mm, which means that you get over with low vehicles.



Maximum height of 1900 mm



Control box